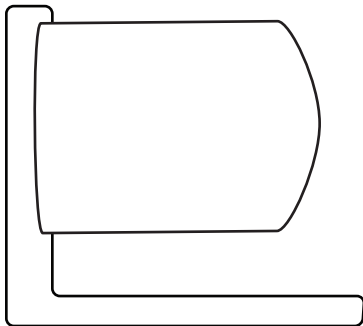




Outside weather compensation control

Installation & Operating Instructions



THESE INSTRUCTIONS
TO BE RETAINED
BY USER

THIS DOCUMENT HAS BEEN PROVIDED BY



heatingspares
247.com

PLEASE VISIT WWW.HEATINGSPPARES247.COM FOR FURTHER
INFORMATION AND GENUINE PARTS & SPARES AT LOW PRICES

The complex block contains a logo for HeatingSpares247.com, which features a stylized flame inside a blue and yellow circular graphic. Below the logo, the text "THIS DOCUMENT HAS BEEN PROVIDED BY" is followed by the brand name "heatingspares" in a blue and orange font, with "247.com" in a smaller orange font below it. At the bottom, a line of text in red and black provides the website URL and a message about genuine parts and spares.

INSTRUCTIONS FOR EXTERNAL SENSOR

CONTENTS

- Instruction sheet
- External housing & sensor
- Fixing screws and wall plugs

INTRODUCTION

The Vokera external sensor can be connected to certain Vokera appliances to adjust the outlet flow temperature relative to the outside temperature. This is called thermo-regulation.

By adjusting certain parameters on the boiler or dedicated control, a unique thermo-regulation curve can be set that allows the boiler to regulate the output flow temperature to suit the local climatic conditions.

INSTALLATION REQUIREMENTS

To enable the correct functioning of the sensor, the following installation requirements must be adhered to:

- The installation of the external sensor, and the subsequent re-programming of the appliance parameters, should only be carried out by suitably qualified personnel.
- The sensor should be mounted on a North or Northwest-facing wall.
- The sensor must not be positioned in proximity to the appliance flue outlet or any other artificial source of heat.
- The connecting cable length between boiler and sensor should not exceed 50-metres.
- All wiring between the external sensor and the appliance must conform to BS6500, and sized from 0.5 to 1.0mm².
- The external sensor should be mounted approximately 2-metres above ground level.

1. INSTALLATION OF SENSOR HOUSING (fig's. 1 & 2)

Remove the sensor housing from the packaging and detach the protective cap by rotating an 1/8th turn counter-clockwise.

Using the housing as a guide, mark the position of the fixing holes on the chosen location for the sensor.

Drill two 5mm-diameter holes at the marked position of the sensor.

Using the screws and wall plugs provided, secure the sensor housing to the wall, ensuring the cable entry is facing downwards.

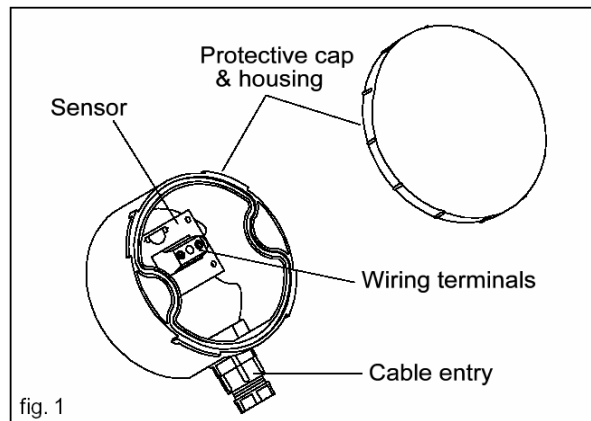


fig. 1

Casing of later model has been adapted but internal components remain unchanged.

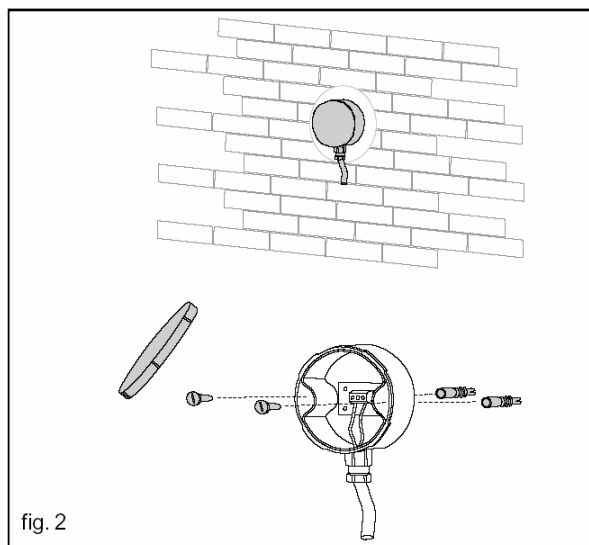


fig. 2

2. WIRING CONNECTIONS

Isolate the appliance from the electrical supply, and remove the appliance casing and PCB cover. Refer to the installation instructions for further details.

NOTE

Use the relevant cable entry points of the external sensor housing and the appliance. Ensure that the cable is suitably supported and protected. Tighten the cable entry glands on completion.

Once the wiring connections have been completed, replace the PCB cover and appliance casing, and re-attach the protective cover on the external sensor housing.



Registered address:

Vokèra Ltd
Borderlake House
Unit 7 Riverside Industrial Estate
London Colney
Herts AL2 1HG

enquiries@vokera.co.uk

www.vokera.co.uk
www.vokera.ie

Sales, General Enquires

T 0844 391 099

F 0844 391 0998

Vokèra Ireland
West Court, Callan
Co Kilkenny
T 056 7755057
F 056 7755060

Vokèra Limited reserve the right to change
specification without prior notice
Consumers statutory rights are not affected.

A Riello Group Company.
Company Reg No: 1047779