



Option

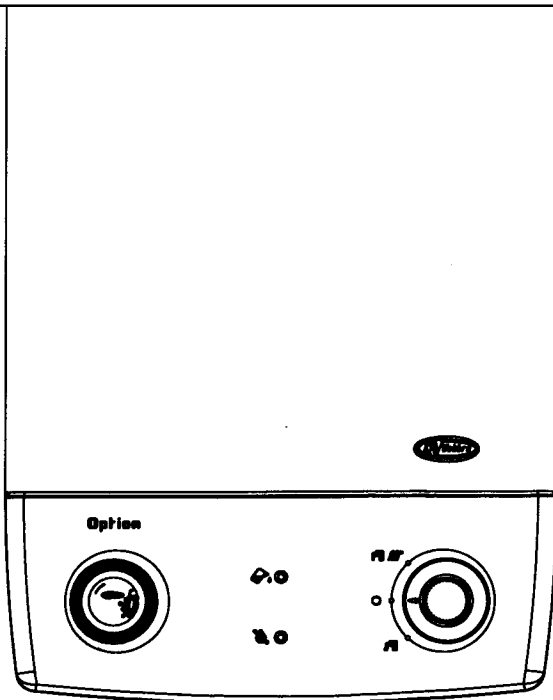
Users Instructions



THIS DOCUMENT HAS BEEN PROVIDED BY

heatingspares
247.com

PLEASE VISIT WWW.HEATINGSPPARES247.COM FOR FURTHER
INFORMATION AND GENUINE PARTS & SPARES AT LOW PRICES



CE

**THESE INSTRUCTIONS
TO BE RETAINED
BY USER**



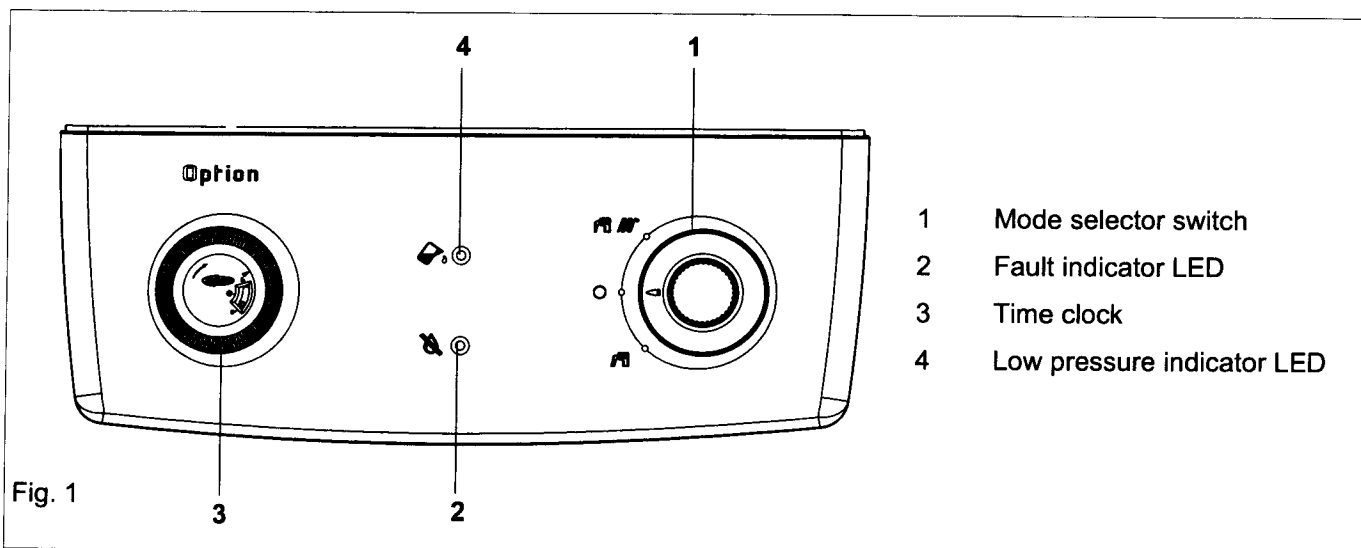
*The code of practice for the installation,
commissioning & servicing of central heating systems*

Dear Customer

Your Option boiler has been designed to meet and exceed the very latest standards in gas central heating technology, and if cared for, will give years of reliable use and efficiency. Please therefore take some time to read these instructions carefully.

Do's and don'ts

- Do ensure that the system pressure is periodically checked
- Do ensure that you know how to isolate the appliance in an emergency
- Do ensure that you are familiar with the appliance controls
- Do ensure that your installer has completed the appliance log book
- Do not attempt to remove the appliance casing or gain internal access
- Do not hang clothes etc. over the appliance
- Do not forget to have the appliance serviced annually



Before use...

Introduction	Page 3
Gas safety	Page 3
Electrical supply	Page 3
Explanation of controls	Page 3
Explanation of features	Page 4
Guarantee register card and appliance log book	Page 4

How to...

Use the appliance for the first time	Page 4
Use the mode selector switch	Page 3
Set the timer	Page 3
Re-pressurise or top-up the system	Page 4
Shut down the system for short periods	Page 5
Shut down the system for long periods	Page 5
Care for the appliance	Page 5

What if...

I frequently 'top-up' or 're-pressurise' the system	Page 5
The fault light is on	Page 5
A gas leak is suspected	Page 5
I need to call an engineer	Page 5
The boiler is due its annual service	Page 5
I want to extend the warranty	Page 5

INTRODUCTION

Your Vokera Option is a combination boiler supplying central heating and instantaneous domestic hot water. Features included are an integral time clock, LED indicators showing the status of the appliance and system pressure, 2-stage frost protection and anti-pump seize function.

GAS SAFETY (Installation and Use) REGULATIONS

In the interests of your safety and that of others, it is a legal requirement that all gas appliances are installed and correctly maintained by a competent person and in accordance with the latest regulations.

ELECTRICAL SUPPLY

Please ensure that this appliance has been properly connected to the electrical supply by means of a double pole isolator or un-switched socket and that the correct size of fuse – 3 AMP – has been fitted.

Warning: this appliance must be earthed!

EXPLANATION OF CONTROLS

The Vokera Option has been designed for simplicity of use, as a result there are only two controls – the mode selector switch & the time clock – that can be accessed by the user.

MODE SELECTOR SWITCH AT:

OFF "O", when the mode selector switch is in the 'OFF' position, the appliance will not function for hot water or heating. However the appliance will still operate in frost protection mode, and if unused for a period of 24 hours, will momentarily activate the pump to prevent seizure due to non-use.

Note; the appliance must have an electrical supply at all times for the frost protection and anti-seize modes to operate.

HOT WATER ONLY "H₂O", when the mode selector switch is in the 'HOT WATER ONLY' position, the appliance will operate as above. However when a hot water outlet is opened the appliance will operate to provide hot water until the demand for hot water has been satisfied.

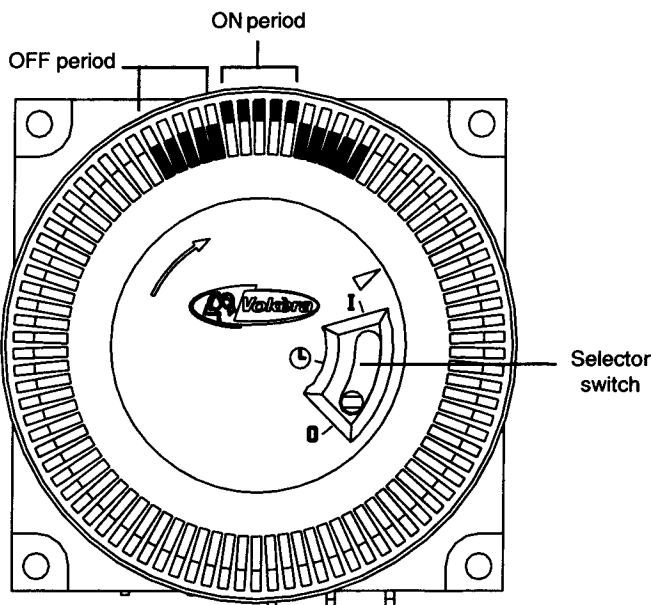
Note; the appliance delivers a fixed maximum flow rate of hot water, therefore if a hot water outlet is turned on full, it is most likely that you will be unable to obtain hot water from another outlet at the same time.

HEATING AND HOT WATER "H₂O" with radiator icon", when the mode selector switch is in the 'HEATING AND HOT WATER' position the appliance will operate as above. However should the time clock be switched on automatically or manually, the appliance will operate to provide heat to the central heating circuit until the demand has been satisfied.

Note; if a room thermostat is fitted it must be calling for heat before the appliance will operate.

TIME CLOCK

The Vokera Option is supplied with a built-in, 24-hour, time clock that can be set to operate the appliance for central heating. However it may be that your installer has fitted an external time clock, (usually because of the location of the appliance i.e. loft, basement, outhouse, etc.) if so, please disregard the following instructions and refer to those supplied with the external time clock.



Setting the time

The time of day can be set by grasping the outer edge of the black dial and turning it in a clockwise direction until the correct time is in line with the white pointer.

Setting the 'switching times'

The 'ON' periods are set by sliding the black tappets, adjacent to the time periods required, to the outer edge of the dial.

The tappets that remain at the centre of the dial will be the 'OFF' periods.

The smallest switching time (ON or OFF) is 15 minutes.

To select 'Timed' mode move the selector switch in the middle of the clock face to the clock icon position.

To select 'Constant' mode move the selector switch in the middle of the clock face to the 'I' position.

To select 'Off' mode move the selector switch in the middle of the clock face to the 'O' position.

Fig. 2

EXPLANATION OF FEATURES

Although the Vokera Option has been designed for simplicity of use, it utilises the latest in boiler technology, enabling a host of functions to be carried out simultaneously.

FROST PROTECTION MODE

Should the temperature of the appliance fall to 7°C. the pump will be activated for a period of 15 minutes or until the temperature of the appliance rises to 10°C. This will be repeated every two hours. Should the temperature of the appliance fall to 5°C. the burner will ignite until the appliance temperature rises to 30°C.

AUTOMATIC HEATING REGULATION

The boiler will automatically adjust its output temperature to suit site conditions. However, your installer may have adjusted this setting during commissioning.

Please refer to the installation instructions for full details.

ANTI-SEIZE FUNCTION

Should the appliance remain inactive for a period of 24 hours, the pump will be activated for a few seconds to prevent seizure.

APPLIANCE STATUS INDICATORS

The Vokera Option has 3 status indicators that show if the appliance is working normally, if it needs 'topping up' or re-pressurising, or if it has a fault (see below).

GUARANTEE REGISTRATION CARD

Please take the time to fill out your guarantee registration card. The completed warranty card should be posted within 30 days of installation.

APPLIANCE LOG BOOK

A logbook is supplied with the boiler. This important document must be completed during the installation/commissioning of your boiler. Failure to install and commission the appliance in accordance with the manufacturers instructions may invalidate the warranty. This does not affect your statutory rights.

Please keep your logbook handy, as you will be asked to quote certain information from the logbook should you need to contact Vokera Ltd. In the unlikely event of a problem occurring with your appliance.

HOW TO...

• USE THE APPLIANCE FOR THE FIRST TIME

Before switching the appliance on please familiarise yourself on how to isolate the appliance from the electricity, gas, and water supplies. If in doubt contact your installer.

Turn the mode selector switch to the OFF position, switch on the electrical supply to the appliance. The green LED should be illuminated, (if any other LED's are illuminated it indicates the system may require 'topping up' or a fault exists, if so, refer to status indicators section before continuing) you may now select either HOT WATER ONLY or HEATING AND HOT WATER.

• OBTAIN HOT WATER

By turning on a hot water outlet (tap) the boiler will fire to deliver hot water.

The appliance will have been commissioned by your installer to deliver hot water at both a reasonable temperature and flow rate, should you wish to increase the temperature of the hot water simply reduce the flow of water as it comes out of the tap. Please consult your installer for further advice if required.

• OBTAIN CENTRAL HEATING

When the time clock is in an 'on' position, and the room thermostat – if fitted – is calling for heat, the boiler will fire to provide central heating.

• RE-PRESSURING THE SYSTEM

The system will need re-pressurising if both the red and yellow LED's are illuminated. Locate the filling valve and if necessary connect the loop (see fig. 3) slowly open the valve until you hear the water entering the appliance. The red LED will go out first, followed by the yellow LED. Once the yellow LED has gone out, close the filling valve and disconnect the loop. The appliance must not be operated until the system has been re-pressurised. If in doubt contact your installer.

STATUS INDICATORS

Green LED	Yellow LED	Red LED	Reason	Action required
On/flashing	Off	Off	Appliance is ok	None
On	On	Off	Low pressure	Requires 'topping-up' See page 5
Off	On	On	Zero pressure	Requires 're-pressurising' See page 4
Off	Off	On	Internal fault	Reset, see page 5
Off	Off	Flashing	Lockout fault	Reset, see page 5
Off	Off	Off	No power, blown fuse, Internal fault	Ensure power supply to Boiler is on, check fuse, Contact engineer

• TOPPING UP THE SYSTEM

The system will need topping up if the yellow LED is illuminated. Locate the filling valve and if necessary connect the loop (see fig.3) slowly open the valve until you hear the water entering the appliance. Once the yellow LED has gone out, close the filling valve and disconnect the loop. The appliance may be operated whilst the yellow LED is illuminated. If in doubt contact your installer.

• SHUT DOWN THE SYSTEM FOR SHORT PERIODS

The system can be shut down for short periods by simply turning the mode selector to the OFF position. It is also advisable to turn off the main water supply to the house.

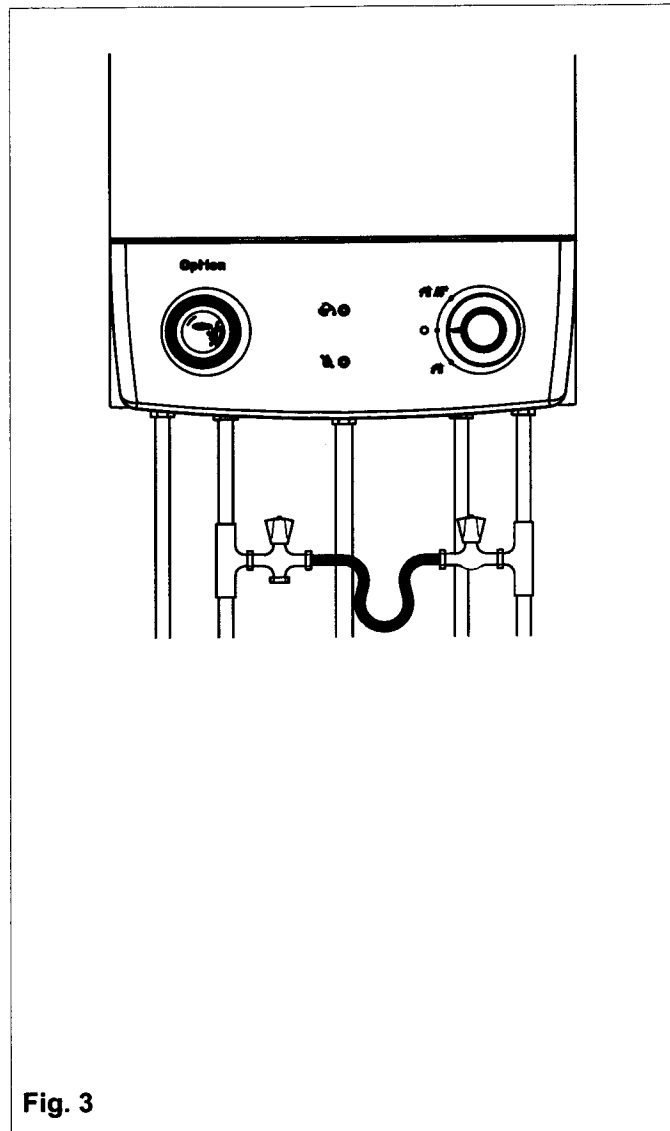


Fig. 3

• SHUT DOWN THE SYSTEM FOR LONG PERIODS

If the house is to be left unoccupied for any length of time – especially during the winter - the system should be thoroughly drained of all water. The gas should be turned off at the meter and the main water supply should be turned off at the stopcock. If necessary contact your installer for further advice.

• CARE FOR THE APPLIANCE

To clean the outer casing use only a clean damp cloth. Do not use any scourers or abrasive cleaners.

WHAT IF...

• I SUSPECT A GAS LEAK

If you suspect a gas leak, turn off the gas supply at the gas meter, and contact your installer or local gas supplier. If you require further advice please contact your nearest Vokera office.

• I FREQUENTLY 'TOP-UP' OR 'RE-PRESSURISE' THE SYSTEM

If the system regularly requires topping-up or re-pressurising, it may be indicative of a leak. Please contact your installer and ask him to inspect the system.

• THE FAULT LIGHT IS ON

If the red LED is illuminated it indicates that the appliance has 'locked-out' or has an internal fault. To reset the appliance, make sure the gas supply is on to the appliance. Turn the mode selector switch to the OFF position for a few seconds and then turn it back to its previous position. If the red LED stays on or is illuminated after a few seconds call an engineer.

NOTE, if both the red and yellow LED's are illuminated, the system requires to be re-pressurised. (See page 4)

• THE APPLIANCE IS DUE ITS ANNUAL SERVICE

Please contact Vokera Customer Services (0870 333 0220 U.K. or 05655057 R.O.I.) if you would prefer a Vokera service engineer or agent to service your appliance. Alternatively your local CORGI registered engineer may be able to service the appliance for you. If you are a tenant your landlord will arrange for servicing.

• I NEED TO CALL AN ENGINEER

If you think your boiler may have developed a fault, please contact your installer or Vokera customer services.

(0870 333 0220 U.K. or 05655057 R.O.I.) Have all your details to hand including full address and postcode, relevant contact numbers, and your appliance logbook.

• I WANT TO EXTEND THE WARRANTY

Vokera offer extended warranties on all current Vokera appliances, simply contact customer services (0870 333 0220 U.K. or 05655057 R.O.I.) for further information.

MINIMUM CLEARANCES

Please observe the following minimum clearances required for the safe operation and maintenance of this appliance

Above the appliance	150mm	6 inches
Below the appliance	150mm	6 inches
Left hand side of appliance	50mm	2 inches
Right hand side of appliance	12mm	_ inches
In front of appliance	600mm	24 inches



PUTTING THE ACCENT ON QUALITY

Vokèra Ltd.

Web. www.vokera.co.uk

Southern Region. Morson Road, Enfield, Middlesex EN3 4NQ. Sales. 020 8216 6300. Fax. 020 8805 6320.
Parts. 020 8216 6310. Technical Helpline. 020 8216 6320. Customer Services. 0870 333 0220.
Email. enfield.spares@vokera.co.uk

Northern Region. Stubs Beck Lane, West 26 Business Park, Whitehall Road, Cleckheaton, West Yorkshire BD19 4TT. Sales. 01274 866100.
Fax. 01274 865557. Parts. 01274 866140. Technical Helpline. 01274 866110. Customer Services. 0870 333 0220.
Email. bradford.spares@vokera.co.uk

Scottish Region. Shuna Street, Maryhill, Glasgow G20 9NW. Sales. 0141 945 6800. Fax. 0141 945 5136.
Parts. 0141 945 6820. Technical Helpline. 0141 945 6810. Customer Services. 0870 333 0220.
Email. glasgow.spares@vokera.co.uk

Vokèra Ireland. West Court, Callan, Co. Kilkenny, Ireland. Sales/Parts. 056 55055.
Fax. 056 55060. Technical Helpline / Customer Services. 056 55057.
Email. eire.spares@vokera.co.uk