
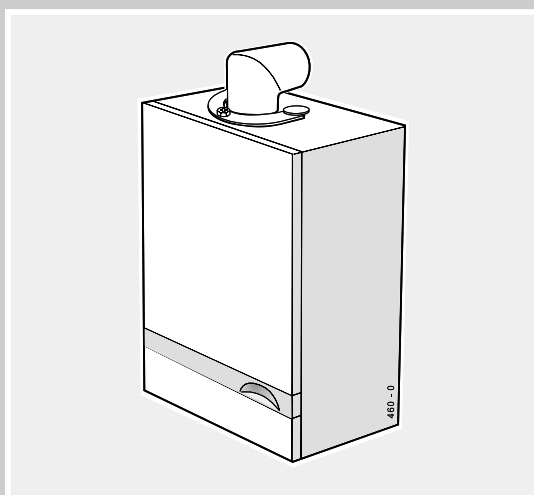


THE HENRAD USERS GUIDE

THIS DOCUMENT HAS BEEN PROVIDED BY



PLEASE VISIT WWW.HEATINGSPPARES247.COM FOR FURTHER
INFORMATION AND GENUINE PARTS & SPARES AT LOW PRICES



Henrad

the combi boiler

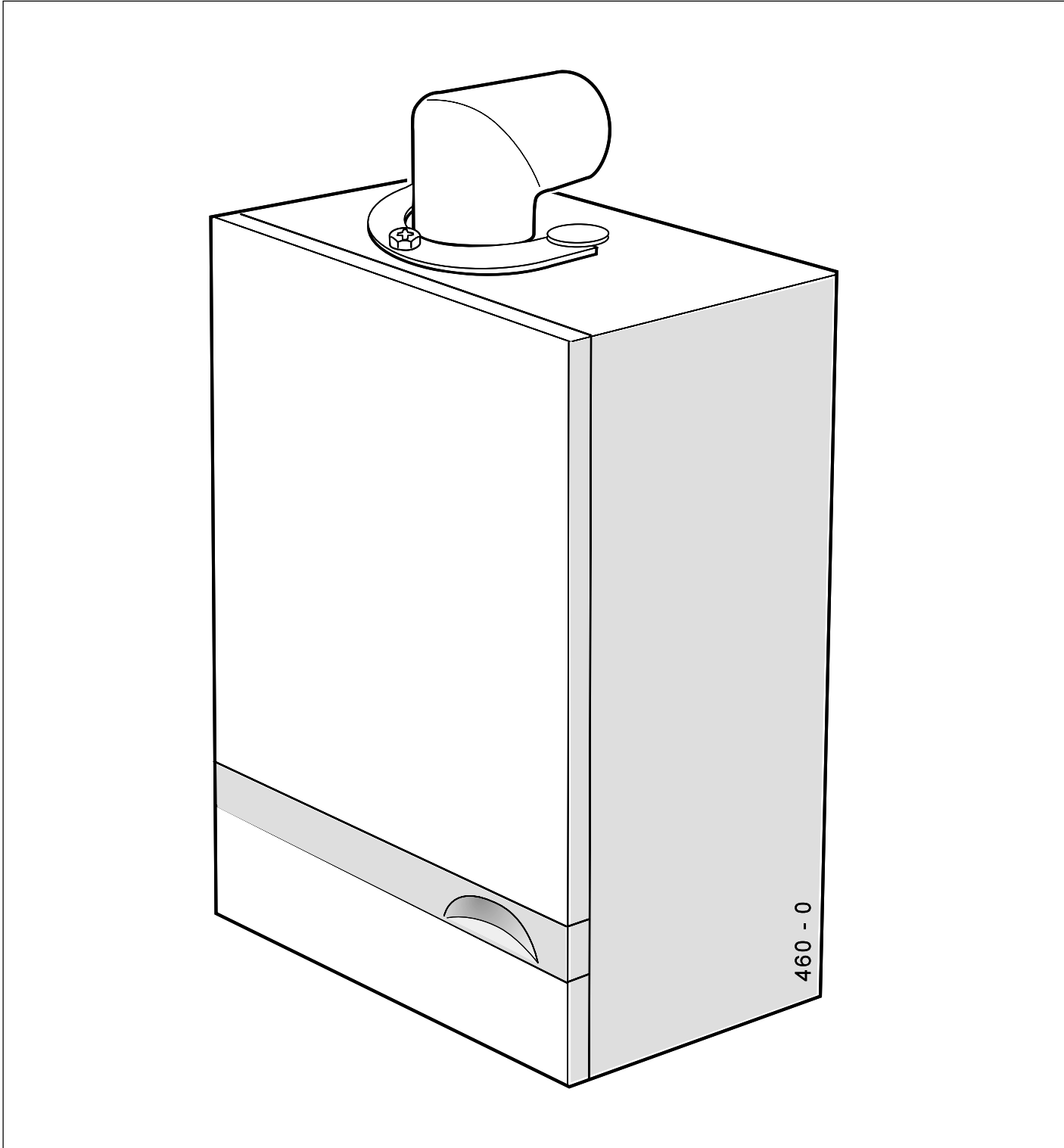
CC 80 FF
CC 100 FF
CC 120 FF

Wall mounted,
gas fired, fanned flue
combination boiler

HENRAD

CC 80 FF G.C. Appliance No. 47 348 11 PI No. 87AS93
CC 100 FF G.C. Appliance No. 47 348 12 PI No. 87AT20
CC 120 FF G.C. Appliance No. 47 348 13 PI No. 87AS94

Natural Gas Models Only



CAUTION. To avoid the possibility of injury during the installation, servicing or cleaning of this appliance care should be taken when handling edges of sheet steel components.

Safety

Gas Safety (Installation and Use) Regulations, 1994, Amendments 1996, or rules in force.

In your own interest, and that of safety, it is the law that this boiler must be installed by a CORGI registered installer, in accordance with the above regulations.

It is essential that the instructions in this booklet are strictly followed, for safe and economical operation of the boiler.

Tampering with sealed components or incorrect use of the boiler will invalidate the boiler guarantee.

CAUTION. To avoid the possibility of injury during the installation, servicing or cleaning of this appliance care should be taken when handling edges of sheet steel components.

Electricity Supply

This appliance must be connected to the supply via a double-pole switch, fused at 3 A.

Minimum Clearances

The minimum clearances given below must be complied with in order to maintain the safe running of the boiler and to facilitate servicing.

Above the turret -	50 mm	(2")
At each side of the boiler -	5 mm	(1/4")
Underneath the boiler casing:		
in use -	10 mm	(3/8")
for service -	150 mm	(6")
Front of the boiler:		
in use -	5 mm	(1/4")
for service -	450 mm	(18")

IMPORTANT NOTES

1. THIS APPLIANCE MUST NOT BE OPERATED WITHOUT THE INNER FRONT SEALING PANEL BEING CORRECTLY FITTED.
2. **Compartment Installations**
If the boiler is installed in a compartment then the compartment MUST NOT be used for storage purposes.
Ventilation provided for boilers installed in compartments MUST NOT be blocked, and a check should be made periodically that the ventilation areas are free from any obstruction.
3. If it is known or suspected that a fault exists on the boiler then it MUST NOT BE USED until the fault has been corrected by a CORGI registered installer.

Escape of gas

Should a gas leak or fault be suspected contact your local gas supplier without delay.

Do NOT search for gas leaks with a naked flame.

Cleaning

For normal cleaning simply dust with a dry cloth.

To remove stubborn marks and stains use a damp cloth and mild detergent.

DO NOT use abrasive cleaning materials.

Maintenance

The appliance should be serviced at least once a year by a CORGI registered installer.

IMPORTANT - Draining the System

It is *not* good practice to drain off radiators to decorate behind them. In the case of sealed system boilers, such as this **CC FF**, this will lower the system pressure AND MAY CAUSE THE BOILER TO STOP WORKING.

Control of water temperature

DOMESTIC HOT WATER

The domestic hot water draw-off temperature is normally limited by the modulating gas control to approximately 60 °C at the minimum water draw-off rate of about 3.5 litre/min. (0.75 g.p.m.). Additionally, the draw-off temperature is controlled by adjusting the flow rate at the tap - the higher the draw-off rate, the lower the temperature.

CAUTION

In common with most combi boilers, the CC FF can produce water at over 80°C when serving central heating. If, therefore, you run a hot tap when the boiler has been heating the radiators, the first pint or so flowing from the boiler to the hot taps could be uncomfortably hot.

Always run hot water into the sink or basin first - DO NOT PUT YOUR HANDS under a running tap if the boiler was already hot.

Central Heating

The boiler modulating control automatically maintains the central heating radiator temperature between 85 °C and 70 °C via the variable central heating temperature control (F). If your system includes a room thermostat the CH temperature control (F) may be left in its maximum position. If your household includes very young or elderly people you may, however, reduce this setting, for safety reasons.

To light the boiler (see illustration right)

Summer Conditions - Domestic Hot Water Only

1. Set the mains switch (C) to 'ON'.
2. Set the heating switch (D) to 'OFF'. Whenever domestic hot water is drawn off, the boiler will fire to provide instantaneous hot water at the tap.

Winter Conditions - Central Heating & Domestic Hot Water

1. Set the mains switch (C) to 'ON'.
2. Set the heating switch (D) to 'ON' and external controls button to ON. The boiler will fire and supply heat to the radiators but will give priority to domestic hot water when required.

THE LOG BOOK SHOULD BE COMPLETED AFTER EACH SERVICE AND KEPT WITH THESE INSTRUCTIONS



To shut down the boiler

Set the mains switch (C) to OFF.
 When heating is again required, restore the switch to the ON position.

WARNING.

If no frost protection is provided and frost is likely during a short absence from home, leave the heating controls (or control (F)) at a reduced temperature setting.

For longer periods, the entire system should be drained - including the domestic water supply .

If the system includes a frost thermostat then, during cold weather, the boiler should be turned OFF by selecting the OFF programme at the time control.

The mains supply should be left switched ON.

If in doubt, ask your installer.

To relight the boiler

Repeat the procedure detailed in 'To light the boiler'.

Faults

A. No heating or hot water

Check that gas and electricity are available at the boiler and that all switches are on.

Check that the system water pressure gauge (G) reads at least 0.5 bar.

Check that the overheat thermostat has not tripped - press button (H) to reset.

If these simple checks fail to solve the problem, or the problem recurs, consult your service engineer.

B. Hot water but no heating

Check that the programmer and room thermostat (if fitted) are both calling for heat.

If the boiler has been switched off *completely* for some time the pump may have stuck (if hot water is in use this should *not* happen as the pump runs for 5 seconds at the end of each hot water draw-off). A sharp tap on the metal body of the pump may free it.

If these simple checks fail to solve the problem, or the problem recurs, consult your service engineer.

C. Heating but no hot water

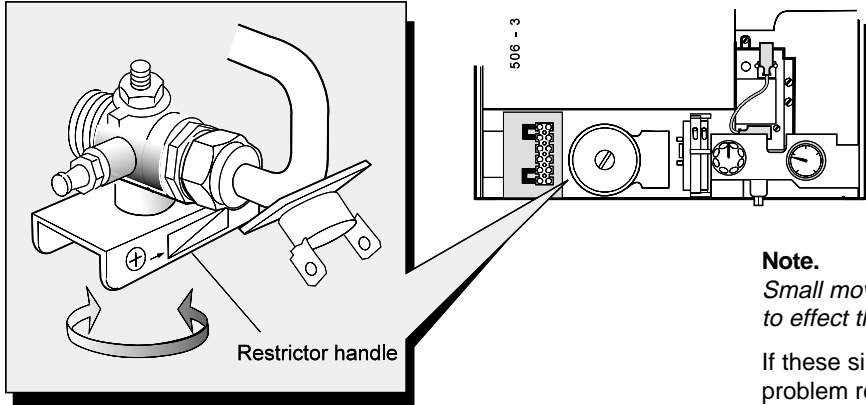
Check that *cold* water does flow out of the hot taps at a minimum rate of 3.5 litres per minute (or 1 pint in 10 seconds or less).

If not, look for stop valves not fully open.

If these simple checks fail to solve the problem, or the problem recurs, consult your service engineer.

D. Hot water temperature incorrect

If the supply of hot water from the appliance is incorrect with the domestic hot water tap fully open then the CC FF boiler includes a domestic hot water restrictor handle for you to adjust the water flow rate to obtain the temperature you require. The restrictor handle is located beneath the boiler on the left.



Rotate the restrictor handle anti-clockwise to increase temperature and clockwise to decrease temperature as indicated on the handle.

Note.
 Small movements of the handle will only be necessary to effect the water temperature change required.

If these simple checks fail to solve the problem, or the problem recurs, consult your service engineer.

BOILER CONTROLS

LEGEND

- A 'Mains on' neon
- B 'Burner on' neon
- C Mains switch
- D Heating switch
- E Programmer (optional)
- F Radiator temperature control
- G System water pressure gauge
- H Overheat thermostat reset

RES 482 - 7



***The code of practice for the installation,
commissioning & servicing of central heating systems***

Caradon Plumbing Limited is a member of the Benchmark initiative and fully supports the aims of the programme. Benchmark has been introduced to improve the standards of installation and commissioning of central heating systems in the UK and to encourage the regular servicing of all central heating systems to ensure safety and efficiency.

Caradon Plumbing Limited, P.O. Box 103, National Ave, Kingston upon Hull, HU5 4JN.
Telephone: 01482 492 251 Fax: 01482 448 858. Registration No. London 322 137.

Caradon Plumbing Limited pursues a policy of continuing improvement in the design and performance of its products. The right is therefore reserved to vary specification without notice.

May 2001

153 965 A03

HENRAD

Henrad Consumer Helpline: 01482 498660

Your feedback
and your chance to win a free boiler

At Henrad we've been leaders in the design and engineering of robust and reliable boilers for over 90 years. We want to continue as leaders by listening to your suggestions for how to improve our boilers and our service. We'll be giving away a free boiler for the five best ideas every year (to be selected by our Technical Director). Please complete this form, using extra sheets if required, and post it or fax it to us on 01482 498699.

Boiler details

Model / Size (details on control panel door)

Date of Installation

Installer details

Name

Address

Post Code

Telephone (Please include STD code)

How I would improve this boiler:

My general comments for Henrad:



Henrad Consumer Helpline: 01482 498660



Further information

If you would like information about Henrad Boilers please complete this sheet and fax it to us on 01482 498699 or post it to Caradon Plumbing Limited, PO Box 103, National Avenue, Kingston upon Hull, HU5 4JN.

Installer details

Name

Address

Post Code

Telephone (Please include STD code)

General information required

- Please send me details of Henrad Training Courses.
- Please arrange for a technical representative to contact me.
- Please arrange for me to join an Henrad factory tour.

Range guides required

- The Henrad Guide: a specifier's and installer's introduction to the Henrad domestic boiler range.
- The Henrad Householders Guide: to assist the installer when presenting to his/her customers.

Technical manuals required

- The Henrad C FF combi boilers
- The Henrad WH FF wall hung boiler
- The Henrad WH LX FF deluxe wall hung boiler
- The Henrad FS FF floor standing boiler
- The Henrad SE FF heat-saving boiler
- The Henrad CC FF combi boiler
- The Henrad SEC FF super efficiency combi boiler

Caradon 
Plumbing Solutions

Caradon Plumbing Ltd., PO Box 103, National Avenue, Kingston upon Hull, HU5 4JN. Telephone: 01482 492251 Fax: 01482 448858.

Henrad Consumer Helpline: 01482 498660