



solaris  
lpg conversion

THIS DOCUMENT HAS BEEN PROVIDED BY  
 **heating spares**  
**247.com**  
PLEASE VISIT [WWW.HEATINGSPARES247.COM](http://WWW.HEATINGSPARES247.COM) FOR FURTHER  
INFORMATION AND GENUINE PARTS & SPARES AT LOW PRICES



## Conversion Instructions for the Solaris 24 & 30PC, & 24 & 30PCS

**Warning:** The conversion must be carried out by a competent person as described in the Gas Safety (Installation and Use) Regulations.

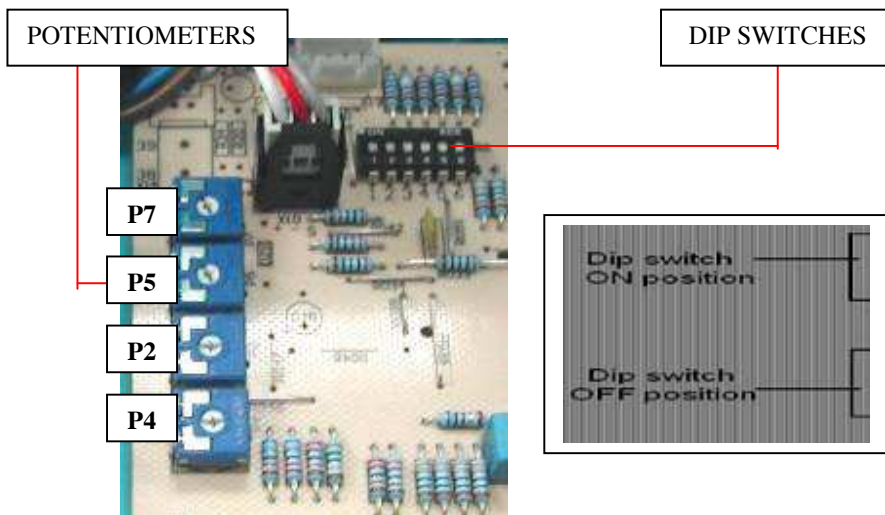
If gas conversion is required (from NG to LPG etc.), follow the instructions below using only approved components from your agent:

- ❑ A flue gas analyser must be used when making any adjustments that can affect the combustion characteristics of the boiler. (this includes converting to a different gas type )
- ❑ Remove the outer case and sealed inner door, refer to boiler instructions if required.
- ❑ Fit the new air/gas mixer ring after disconnecting the gas pipe from the gas valve (see figure below (red)).



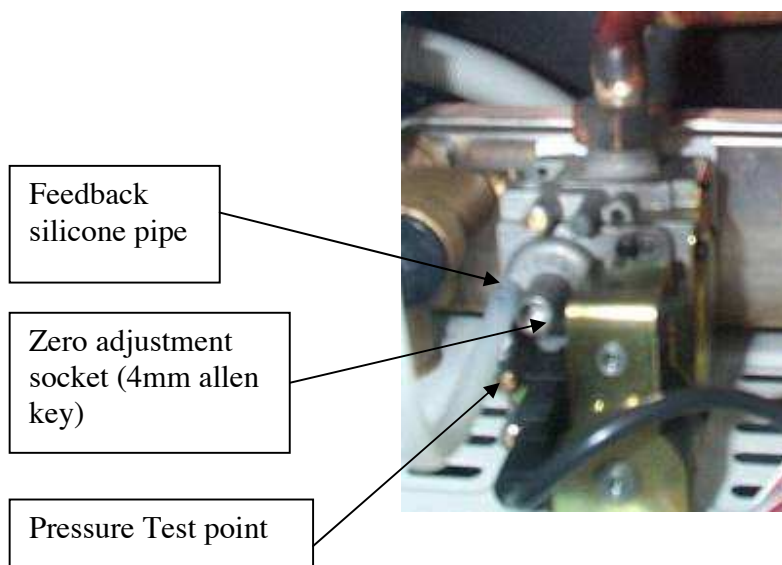
- ❑ Adjust dip switch 1 to the “On” position for LPG, “Off” for NG, on the main circuit board which is accessible after opening the control box.

01

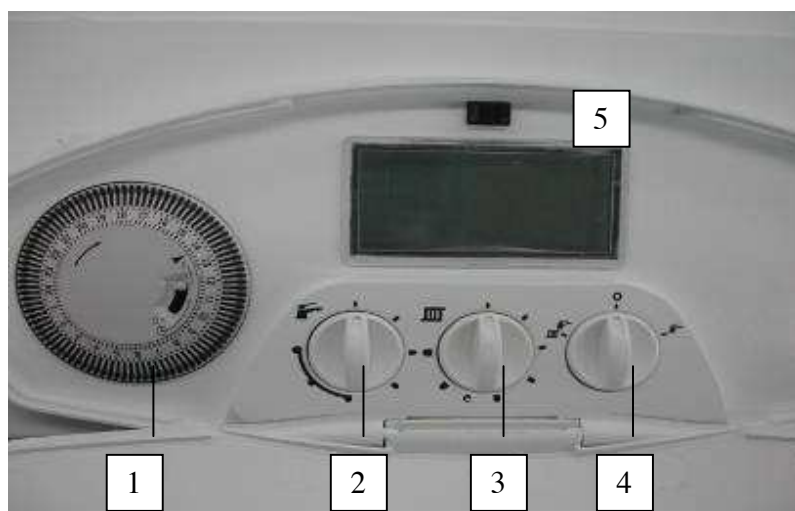


- ❑ Change the diaphragm, which is located in the outlet of the gas valve. (LPG 24kW - 4.7mm, LPG 30kW - 5.35mm, NG 24kW – 6.5, NG 30kW – 7.0mm)

- ❑ Once re-assembly of the gas circuit check for gas soundness.
- ❑ Set the CO<sub>2</sub> as described below noting the correct CO<sub>2</sub> value for the type of gas that will be used, 9.0 +/-0.1% NG and 10.0 +/-0.1% LPG.
- ❑ Insert a combustion analyser into the socket on the flue adapter.
- ❑ Remove the brass screw to access the zero adjustment socket.



- ❑ Turn the boiler's function switch "4" as shown below to the 'heating/hot water' position.



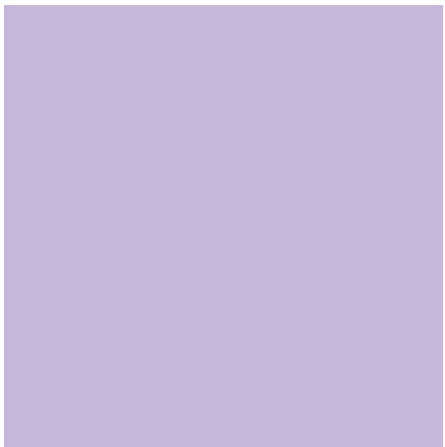
- |                                  |                    |
|----------------------------------|--------------------|
| 1- Timer                         | 4- Function switch |
| 2- D.H.W. temperature control    | 5- LCD display     |
| 3- C/Heating temperature control |                    |

- ❑ Turn the central heating temperature control “2 above” to maximum setting.
- ❑ Turn Potentiometers P2 & P4 (figure 19) anticlockwise to the minimum setting.
- ❑ Using a 4mm allen key **adjust clockwise**: to increase the CO<sub>2</sub> setting, **anticlockwise**: to decrease the CO<sub>2</sub> setting by means of a 4mm allen key. (Natural Gas 9%, LPG 10%)
- ❑ After adjustment, insert the brass screw and re-set the potentiometers as follows P7, P2 & P4 to 4 o'clock, P5 min.
- ❑ Check for correct boiler operation.

**Important.**

Gas type conversion must be completed by attaching the labels included in the gas conversion kit to the boiler.

- Type of gas label – (Yellow) in a visible position inside the boiler.
- Grey label – to cover the existing gas type on the data plate.
- Instruction label – Inside drop down cover on the front of the boiler.



Heatline  
Nottingham Road,  
Belper,  
Derbyshire,  
DE56 1JT

Tel: 01773 596 099  
Fax: 01773 828 123  
Email: [sales@heatline.co.uk](mailto:sales@heatline.co.uk)