

VALOR FIRES

INSTALLER AND OWNER GUIDE

Model 845 Dimension Electric Firefront.

Fitted with one of the following fascia:

Lyrice or **Nano**.

And for use with the **Baxi Bermuda BBU15 HE** Boiler.

(GC No. EF-032-38)



This guide is intended to help you install and care for your Valor Fires Electric Firefront. Please read carefully before installing and using your firefront. However, if further information is required, our **Valor Fires Technical Helpline** will be pleased to help.

Telephone **0844 8711 565** (National call rates apply in the United Kingdom).

In the Republic of Ireland

Telephone **0044 844 8711 565**.



BAXI ● VALOR ● WONDERFIRE

Important: Please keep your guide in a safe place for future reference.

© Baxi Heating U.K. Limited 2009.

All rights reserved. No part of this publication may be reproduced in any material form (including photocopying), stored in any medium by electronic means (including in any retrieval system or database) or transmitted, in any form or by any means, whether electronic, mechanical, recording or otherwise, without the prior written permission of the copyright owner.

Applications for the copyright owner's permission to reproduce any part of this publication should be made, giving details of the proposed use, to the following address: The Company Secretary, Baxi Heating UK Limited, The Wyvern Business Park, Stanier Way, Derby, DE21 6BF.

Warning: Any person who does any unauthorised act in relation to a copyright work may be liable to criminal prosecution and civil claims for damages.

Safety First.

Valor Fires firefronts are CE Approved and designed to meet the appropriate British Standards and Safety Marks.



Quality and Excellence.

All Valor Fires firefronts are manufactured to the highest standards of quality and excellence and are manufactured under a BS EN ISO 9001 quality system accepted by the British Standards Institute.



VALOR FIRES

Valor Fires, Erdington, Birmingham B24 9QP.
www.firesandstoves.co.uk

Because our policy is one of constant development and improvement, details may vary slightly from those given in this publication.

INSTALLER GUIDE

INSTALLER GUIDE

FOR OWNER GUIDE SEE PAGES 16 TO 27

INSTALLER GUIDE**CONTENTS**

<u>Section</u>	<u>Heading</u>	<u>Page</u>
	INSTALLER GUIDE	4 - 15
	OWNER GUIDE	16 - 27
1.	HANDLING AND UNPACKING	5
2.	SAFETY	6
3.	OPTIONAL KITS	7
4.	PACK CONTENTS	8
5.	FITTING THE FIREFRONT	9
	Fitting the cable clamp.	9
	Do I need any tools?	9
	Where and how can you fit the firefront?	9
	General notes to read before fitting your firefront.	10
	Securing the Firefront.	11
	Method A - Securing with wire	11
	Method B - Securing with wire using an Optional Spacer Frame kit	13
6.	FITTING THE FASCIA	14
7.	REMOVING THE FASCIA AND FIREFRONT	15

INSTALLER GUIDE

1. HANDLING AND UNPACKING

Before continuing any further with the installation of this firefront please read the following:

Important instructions.

- A carry handle is fitted to the top of the firefront. We recommend that this is used when moving the firefront.
- The approximate lifting weights (kg) of the firefront parts are listed below:

<u>Model</u>	<u>Heat engine</u>	<u>Fascia</u>	<u>Firefront casting</u>	<u>Spacer</u>
Lyrica	8.0	1.5	3.54	1.0*
Nano	8.0	2.68	N/A	1.0*

*See section 3.

- One person should be sufficient to lift the firefront. If for any reason this weight is considered too heavy then obtain assistance.
- When lifting always keep your back straight. Bend your legs and not your back.
- Avoid twisting at the waist. It is better to reposition your feet.
- Avoid upper body / top heavy bending. Always bend from the knees rather than the waist. Do not lean forward or sideways whilst handling the firefront.
- Always grip with the palm of the hand. Do not use the tips of fingers for support.
- Always keep the firefront as close to the body as possible. This will minimise the cantilever action.
- Use gloves to provide additional grip.
- Always use assistance if required.

INSTALLER GUIDE

2. SAFETY

This appliance is not intended for use by persons (including children) with reduced physical, sensory or mental capabilities, or lack of experience and knowledge, unless they have been given supervision or instruction concerning use of the appliance by a person responsible for their safety.

Children should be supervised to ensure that they do not play with the appliance

Always

- **Always** install the firefront in accordance with this guide. If in doubt obtain expert advice.
- **Always** make sure the electrical socket is accessible and located adjacent to, but not above or behind the firefront.
- **Always** disconnect the firefront from the electrical supply before carrying out cleaning or maintenance.
- **Always** use a fireguard when young children and infirm persons can come into contact with the firefront.
- **Always** use genuine Valor Fires spares.

Never

- **Never** leave children unsupervised in a room where the firefront is ON and unguarded.
- **Never** obstruct or cover the fan outlet or force items into firefront openings.
- **Never** install or use the firefront anywhere where water or high humidity is in use, i.e. Bathrooms, Kitchens, Shower Rooms and Swimming Pools etc (It is accepted that the firefront will stand in front of a boiler).
- **Never** use aerosols or steam cleaners on or around the firefront.
- **Never** route the electric cable under carpet etc.
- **Never** install the firefront close to curtains or combustible materials.
- **Never** use the firefront to dry clothes etc.
- **Never** sit or stand on the firefront.
- **Never** use the firefront with a timer switch or similar device.

Important Electrical Safety

The firefront must **not** be located in front of or under an electrical socket; the socket must always be accessible in order to disconnect the firefront from the electrical supply for maintenance and cleaning.

CAUTION: In order to avoid a hazard due to inadvertent resetting of the thermal cut out, this appliance must **not** be supplied through an external switching device, such as a timer, or connected to a circuit that is regularly switched on and off by the utility.

INSTALLER GUIDE

Important! This firefront must be earthed.

- The firefront is supplied with a 3 pin 13 Amp fused re-wireable plug with 1mm² 3 core cable.
- The wires in the cable are coloured in accordance with the following code:-
 Live = Brown
 Neutral = Blue
 Earth = Green /Yellow
- The electric supply must be safely routed from the firefront to an electrical socket. If the electric cable is damaged, to avoid a hazard it must be replaced by a Valor Fires authorised service agent, or similarly qualified person. All external wiring between the firefront and the electrical supply shall comply with current IEE regulations. Extension leads should not be used.
- Never connect the boiler and firefront to the same socket / spur. The fuse ratings are different and subsequent damage may occur.

3. OPTIONAL KITS

Although the firefront is supplied with a 50mm deep spacer frame, an optional 50mm deep spacer frame kit is obtainable either from your firefront supplier or direct from Valor Fires Sales. The spacer kit is an addition to the spacer supplied with the firefront. If you want the firefront to be fitted against a flat wall it will be necessary to purchase two kits, they are designed to be secured together.

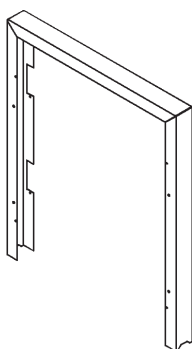

Contents	Quantity	(Illustrations are not to scale)
Spacer frame	1 only	 Lyrica & Nano
No 8 x 3/8 Self-tapping screws	4	

Figure 1.

<u>Model</u>	<u>Spacer kit number</u>
Lyrica	5135632
Nano	5135632

INSTALLER GUIDE

4. PACK CONTENTS

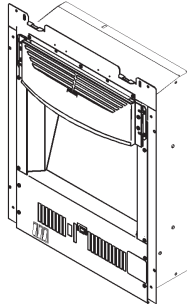
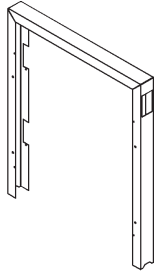




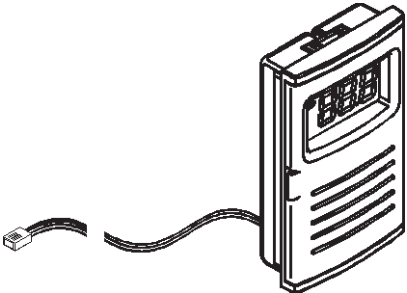
Contents	Quantity	(Illustrations are not to scale)
Firefront	1	
Spacer frame	1 Only	 Lyrica & Nano
No. 8 x 3/8 pan head screw	5	
Tension wire	1	
Eye screw	1	
Cable clamp	1	
Boiler Control and connector lead.	1	

Figure 2. Contents (Fascias not shown)

INSTALLER GUIDE

5. FITTING THE FIREFRONT

Important: Before continuing with the installation of this firefront please ensure that you have completed the information on the last page of this guide. This includes boiler information.

It is important to install the boiler before installing the firefront.

Please read this section thoroughly before positioning the firefront.

Fitting the cable clamp.

If the mains cable is to be routed to the left hand side of the firefront there is a cable clamp supplied with the firefront to hold the cable in place. This prevents the cable being trapped under the firefront during installation. Fit the cable clamp as in figure 3.

Do I need any tools?

You will need a Pozidrive / Phillips / cross head screwdriver. This should have a number 2 size tip.

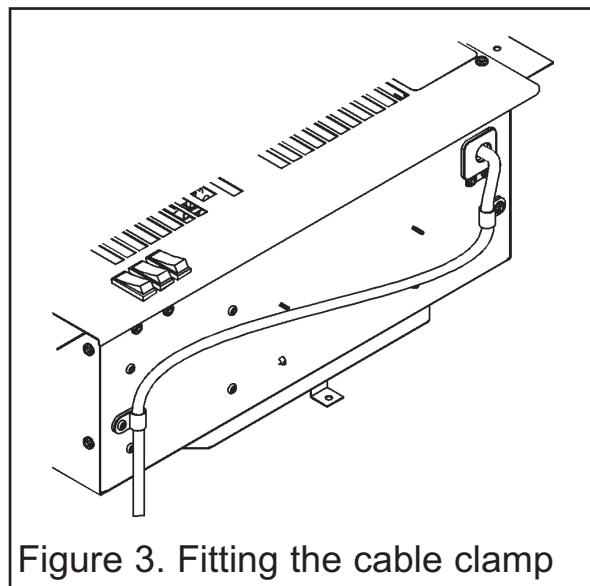


Figure 3. Fitting the cable clamp

Where and how can you fit the firefront?

Q What opening size do you need in the surround or fireplace opening?

A This firefront can be fitted into fireplaces or surrounds where the following dimensions are available.

Width	390mm - 490 mm
Height	560mm - 595 mm
Depth	At least 95mm

Q Can the firefront be installed into a 'hole in the wall' (elevated opening)?

A We do not recommend the firefront for this type of installation.

Q Do you want to fit the firefront into a surround or fireplace opening without the optional spacer frame?

A The minimum rebate / depth required is 95mm.

Q Do you want to fit the firefront into a surround using the optional spacer frame?

A The minimum rebate required is 45mm.

INSTALLER GUIDE

Q Do you want to fit the firefront against a flat wall with the base of the firefront on a hearth or similar surface?

A You will need to purchase two optional spacer frame kits - See section 3. These spacers when added to the one supplied with the firefront enable the firefront to be flat wall fixed. The depth of the combined spacer frames is 150mm.

General notes to read before fitting your firefront.

Ensure that the boiler has been commissioned and the benchmark checklist in the boiler installation guide completed.

There should be at least 10mm clearance between the top of the fascia and anything such as a shelf, fireplace surround or mantel etc. This will allow the fascia to be removed and fitted during servicing. To check the shelf clearance gently place the fascia against the surface to which it is to be fixed and measure the distance from the top of the fascia.

If fitting the firefront onto a reflective or shiny surface such as a hearth we recommend that this surface does not extend further than 300mm from the fixing plane (wall). Reflective or shiny surfaces that project further than 300mm may reflect an image of the internal light source.

INSTALLER GUIDE

Securing the Firefront.

The firefront must be secured into position to prevent it from being tipped over. The following securing options are available:

- **Method A** - Securing with wire.
- **Method B** - Securing with wire using an **Optional Spacer Frame kit** (See section 3).

If fitting the firefront onto a decorative hearth surface such as marble or tile it is advisable to protect the hearth surface. Do not drag the firefront as the surface finish may be damaged.

Method A - Securing with wire.

1. Supplied with the firefront is a spacer frame. The opening for the Boiler Control should be on the right hand side when fitting.
2. Secure the spacer frame to the firefront using four No.8 x 3/8 screws supplied (See figures 2 and 4).
3. Insert the Boiler Control lead through the opening in the spacer frame, then ensuring that the display is at the top, gently push the Boiler Control into place. The control will 'click' into place. Place the firefront in front of the boiler, connect the Boiler Control lead to the lead on the boiler and check the boiler operation.
4. There is a supply cable slot on both sides of the spacer frame. It is located at the base. Decide which side to pass the supply cable through and position the supply cable in the spacer frame slot.
5. Supplied with the firefront is a steel wire. This will be used to secure the firefront to the top of the boiler.
6. At the top of the firefront there are four small holes, two each side of the firefront. From the front of the firefront, thread about 50mm of the steel wire into the outside small hole on the right side of the firefront (See point 1 - figure 6).
7. Thread the other end of the wire through the remaining small hole to the left. Continue to push the wire through this hole until there is only a small loop of wire at the front of the firefront (See point 2 - figure 6).
8. At the back of the firefront there will be a long piece and a short piece of wire coming through the two holes. Hold the short piece and give the long piece a gentle tug.

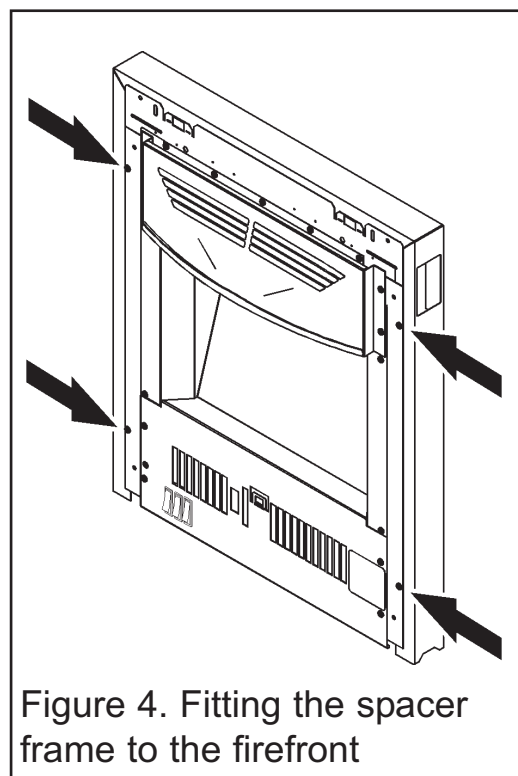


Figure 4. Fitting the spacer frame to the firefront

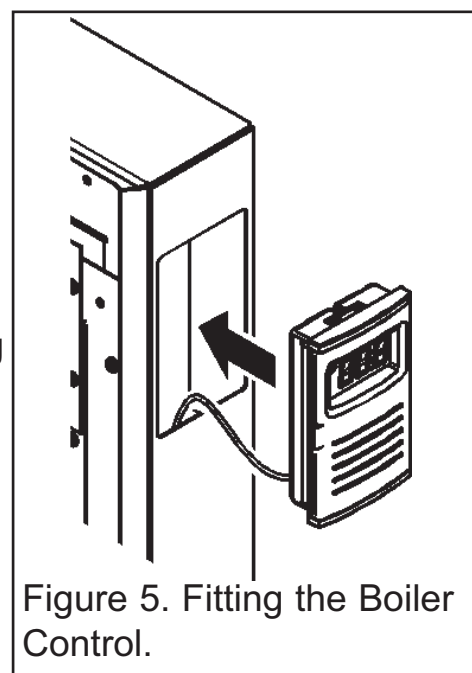


Figure 5. Fitting the Boiler Control.

INSTALLER GUIDE

This will secure the steel wire. Take the long piece and thread this through the bracket located at the top centre of the boiler (See figure 6).

9. From the back of the firefront thread the long piece of steel wire through the inner small hole on the left hand side of the firefront (See figure 6).

10. Locate the firefront in the fireplace opening, then from the front of the firefront, gently pull the steel wire on the right hand side to gather up the excess until the firefront is secure. Thread the wire through the remaining small hole to lock the wire and firefront in place (See point 4 - figure 6).

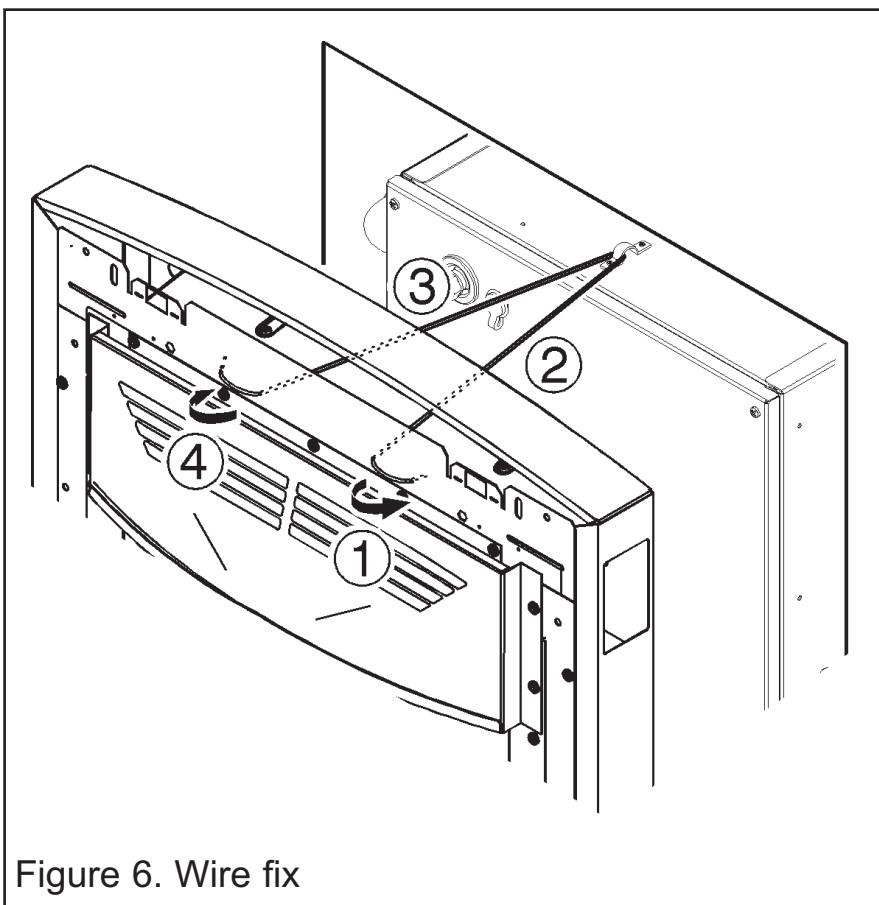


Figure 6. Wire fix

INSTALLER GUIDE

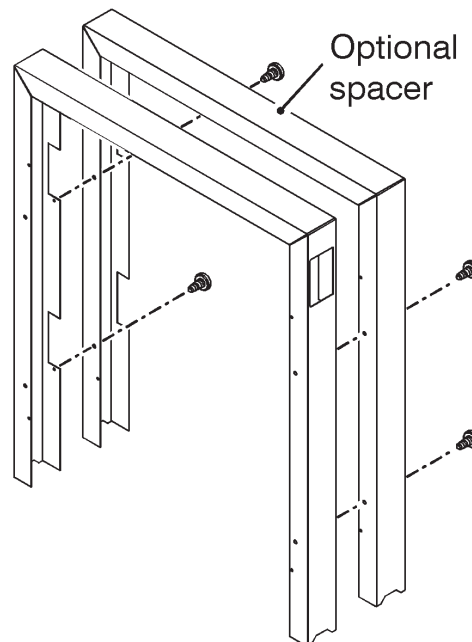
Method B - Securing with wire using an Optional Spacer Frame kit (See section 3).

Although the firefront is supplied with a 50mm deep spacer frame, an optional 50mm deep spacer frame kit is obtainable either from your firefront supplier or direct from Valor Fires Sales. The spacer kit is an addition to the spacer supplied with the firefront. If you want the firefront to be fitted against a flat wall it will be necessary to purchase two kits, they are designed to be secured together.

1. There are four screws supplied with the optional spacer frame. The narrow flange of the optional spacer should be placed against the spacer supplied with the firefront. Screw the optional spacer frame to the one supplied with the firefront (See figure 7).
2. Secure the spacer frames to the firefront using four No.8 x 3/8 screws supplied (See figures 7 and 2).
3. Continue with the installation as in points 3 to 10 of method A.

Step 1

Screw the optional spacer to the spacer supplied with the heater.



Step 2

Screw the spacers to the heater.

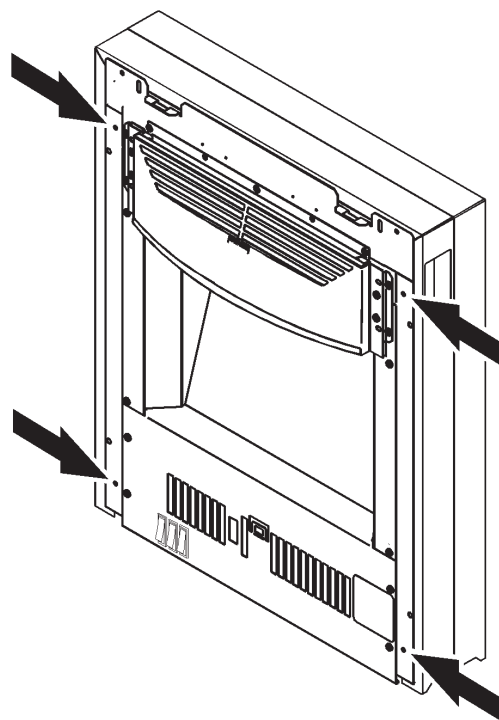


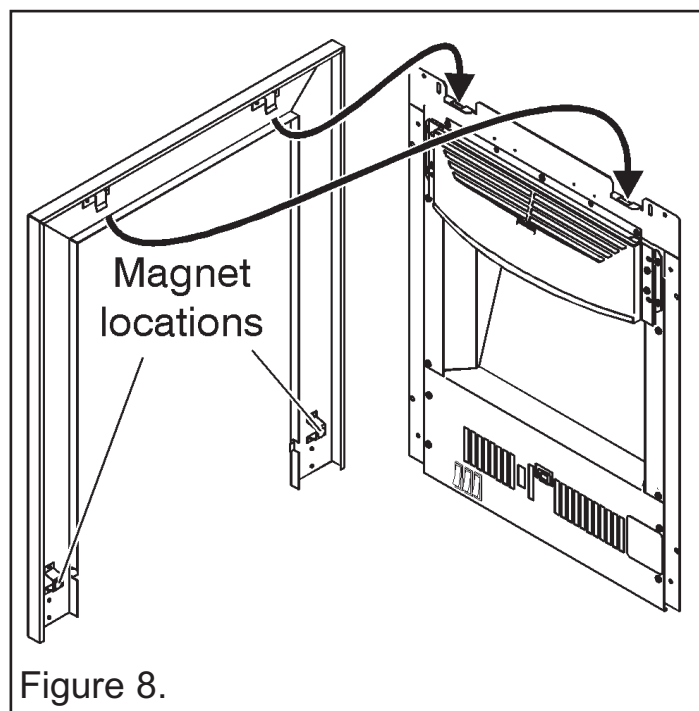
Figure 7. Fitting the optional spacer frame to the firefront

INSTALLER GUIDE

6. FITTING THE FASCIA

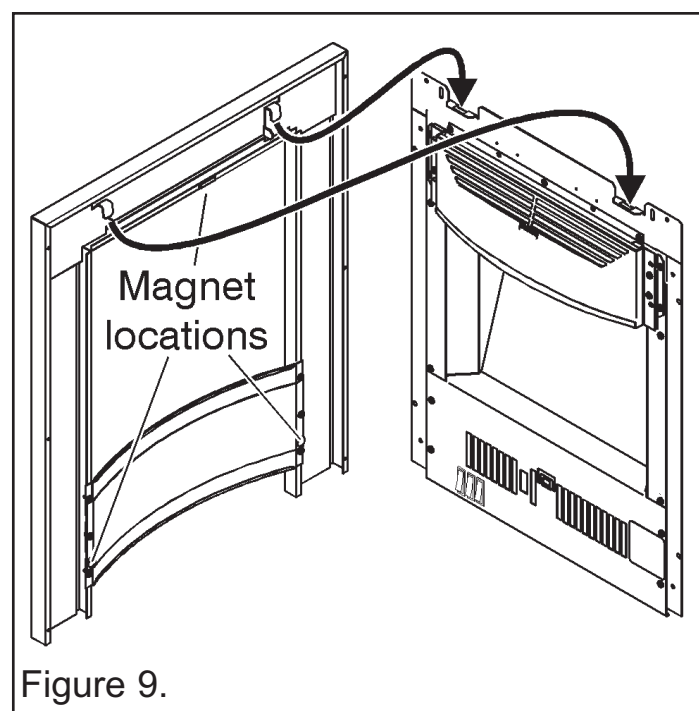
Fitting the Lyrica fascia.

1. Remove the fascia from its packaging.
2. There are two magnets on the fascia (See figure 8). Ensure that they are located correctly before fitting the fascia.
3. Hold the fascia firmly and lift into place. Keeping the magnets away from the body of the heater, locate the fascia hanging brackets into those on top of the heater (See figure 8). Lower the fascia into place and swing the bottom of the fascia towards the heater to engage the magnets.
4. Place the lower casting at the base of the firefront.



Fitting the Nano fascia.

1. Remove the fascia from its packaging.
2. There are three magnets on the fascia (See figure 9). Ensure that they are located correctly before fitting the fascia.
3. Hold the fascia firmly and lift into place. Keeping the magnets away from the body of the heater, locate the fascia hanging brackets into those on top of the heater (See figure 9). Lower the fascia into place and swing the bottom of the fascia towards the heater to engage the magnets.



INSTALLER GUIDE

7. REMOVING THE FASCIA AND FIREFRONT

To gain access to the boiler for servicing and maintenance it will be necessary to remove the firefront. Do this as below:

1. Where applicable remove the lower casting from the base of the firefront. Firmly hold the lower sides of the fascia and gently pull the bottom forward to release the magnets that hold the bottom in place. Lift the fascia upward and forward until the fascia hanging brackets are clear of the upper hanging brackets on the firefront. Place the fascia away from the work area.

2. The firefront is held in place with a single wire. It will be necessary to loosen and remove the wire at one side. Do this by placing a flat ended screw driver or similar tool behind the wire loop on the front of the firefront (See figure 10). Push the wire loop towards the outer hole and pull on the wire where it passes through an outer hole in the firefront. The wire should become loose and can then be pulled from the outer hole. With the end of the wire free, gently pull the firefront forward.

3. After completing work on the boiler fit the firefront and fascia as in sections 5 and 6 of this guide.

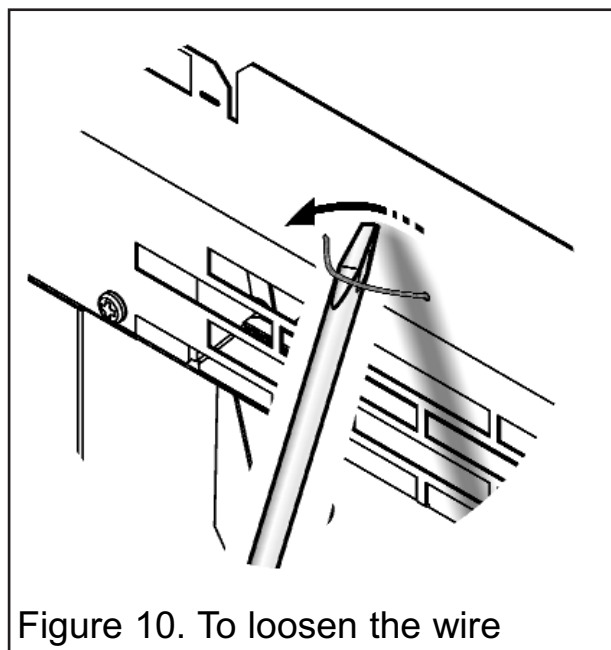


Figure 10. To loosen the wire

OWNER GUIDE

OWNER GUIDE

FOR WARRANTY AND SERVICE INFORMATION
SEE PAGES 23 TO 27

OWNER GUIDE**CONTENTS**

<u>Section</u>	<u>Heading</u>	<u>Page</u>
1.	OPERATING THE FIREFRONT	18
2.	OPERATING THE BOILER	19
	Understanding the Boiler Control functions.	19
	To light and reset the boiler.	19
	How to switch the Boiler ON.	20
	How do you know when the system external controls are requesting heating or hot water ?	19
	Troubleshooting.	20
	How to RESET the Boiler.	20
	Lockout / Error codes.	21
	How to switch the boiler OFF.	21
	Boiler checklist.	21
	How do I Clean my firefront?	21
	I have a problem with my firefront!	23
3.	CLEANING AND MAINTAINING THE FIREFRONT	22
	How do I Clean my firefront?	22
	I have a problem with my firefront!	22
4.	ENVIRONMENT	23
5.	WARRANTY AND SERVICE	23

CUSTOMER CARE**Thank you for choosing Valor Fires**

All Valor Fires firefronts are designed to meet the most stringent quality, performance and safety requirements to provide our customers with many years of trouble free service. This guide aims to improve your understanding and appreciation of your new Valor Fires firefront, by providing simple and informative instructions to enable you to install it and to ensure that you benefit from the excellent performance and features it has to offer.

If you require further assistance, the **Valor Fires Technical Helpline** will be pleased to help.

Please telephone **0844 8711 565** (local rates apply in the United Kingdom). In the Republic of Ireland please telephone **0044 844 8711 565**.

OWNER GUIDE

1. OPERATING THE FIREFRONT

Never cover the firefront or obstruct the opening at the base of the firefront, this could cause overheating and consequent risk of fire.


The firefront can be controlled by the manual control located on the lower left hand side of the firefront. These controls are for the firefront only and have nothing to do with the operation of the boiler. For boiler operation see section 2 of the owner guide.


Important Safety


Never cover the heater or obstruct the openings at the base of the heater, this could cause overheating and consequent risk of fire.

What are the three switches for?

The heater is operated by three switches located on the lower left hand side.

Switch 1 =  Main On - Off. (In the 'ON' position, only the flame effect operates)

Switch 2 =  1kW fan heat setting and flame effect. (Switch 1 needs to be in the 'ON' position to enable switch 2 to operate).

Switch 3 =  2kW fan heat setting and flame effect. (Switches 1 and 2 need to be in the 'ON' position to enable switch 3 to operate).

OWNER GUIDE

2. OPERATING THE BOILER

The Boiler Control is located on the right hand side of the firefront (See figure 1).

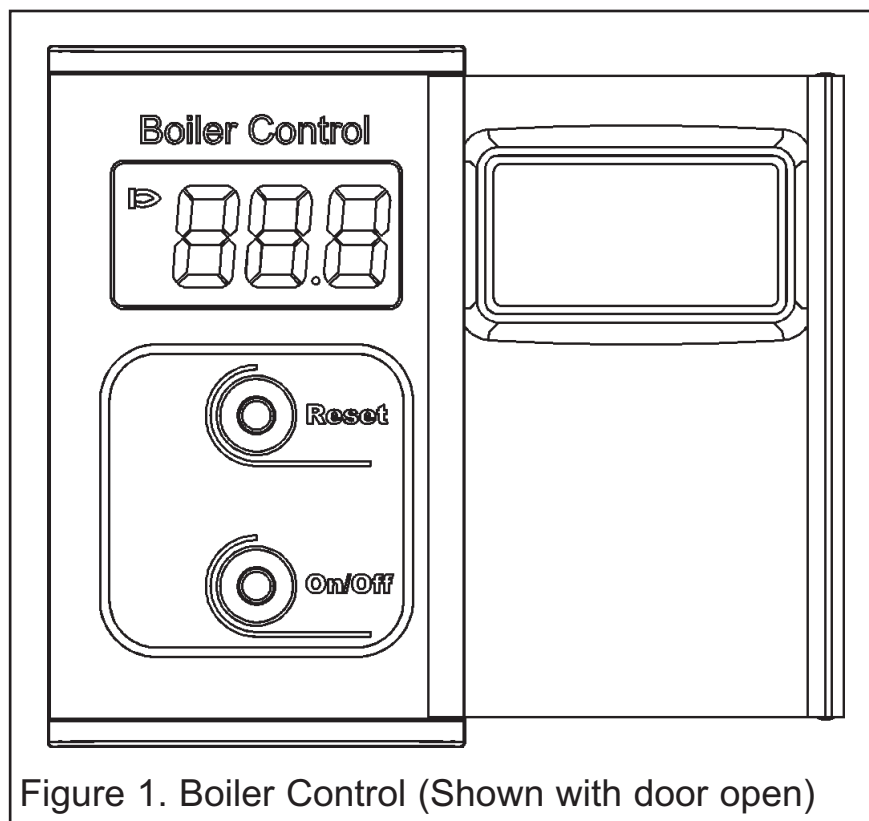


Figure 1. Boiler Control (Shown with door open)

Note: To operate the Boiler Control the On / Off button needs to be pressed for a minimum of half a second.

Understanding the Boiler Control functions.

Is the Boiler ON or OFF?

If the boiler is **OFF** the display on the Boiler Control will read OFF. This means the boiler will not operate even if the system external controls (timer, programmer etc.) are requesting central heating or domestic hot water.



If the boiler is **ON** then the display on the Boiler Control will show a number, this being the 'primary flow' temperature which is the temperature of the water in the central heating system.



In this condition the boiler is not operating, but will respond to a request from system external controls.

How to switch the Boiler ON.

If the boiler is OFF, open the hinged panel that covers the Boiler Control. Press the On / Off button on the Boiler Control for half a second.

OWNER GUIDE

How do you know when the system external controls are requesting heating or hot water ?

(When switched ON the boiler will be operated by a separate control. This may be a timer or room thermostat control).

1. When the boiler is ON and heat is required a vertical bar will appear in the top left of the display. The bar will remain visible for as long as the thermostat or timer are operational (i.e. If the timer is set for the boiler to operate for a two hour period, then the bar will remain visible for the two hours)



2. Once the bar appears there will be a short delay of up to 60 seconds, the boiler will then commence the ignition sequence. When the main burner lights, the flame symbol will appear in the top left of the display. The 'primary flow' temperature will be seen to increase.



Troubleshooting.

If the boiler fails to light within 3 ignition attempts, a lockout condition will occur and an error code (E133) will be displayed on display.



First blink

Error codes are displayed in two parts, i.e. for 'E133' (Ignition lockout), the display will show 'E1' alternating with 33.



Second blink

How to RESET the Boiler.

If an error code is displayed a manual reset operation may be required. A list of error codes that can be reset are given on the opposite page. To reset the boiler, open the door on the boiler control and press the 'RESET' button (top) for at least 3 seconds (no more than 30 seconds). The display will show (r - 4) or the number corresponding to available reset attempts.



When the RESET button is released the display will change to (r E S) for 2 seconds to indicate the reset action has occurred.



NOTE – RESET ATTEMPTS ARE LIMITED.

A maximum number of 4 resets in 5 hours is available. After each reset action, the counter is reduced by one. ONLY after 5 hours of no reset action will one reset be added.

If the maximum number of reset attempts have been reached, the boiler control will display [r - -], blinking.



In this case, a waiting time of 5 hours is required to recover one further reset attempt. After 4 reset attempts we recommend that you contact Heateam on **0844 8711 565**. When contacting heateam it will help to quote the error code that has been displayed.

OWNER GUIDE

Lockout / Error codes.

The following codes are user resettable.

E110 – high limit thermostat or safety float switch operation.

E125 – Boiler maximum water temperature exceeded twice in 2 hour period.

E131 – Burner lockout after power OFF/ON during the fault E125.

E133 – Burner lockout due to no flame.

E168 – No communication to burner control system.

How to switch the Boiler OFF.

If the boiler is ON, open the hinged panel that covers the Boiler Control. Press the On / Off button on the Boiler Control for a minimum of half a second.

Boiler checklist.

If your boiler is not working or not working correctly please check the following before calling Heateam.

- Make sure the gas supply is turned ON. Check if other gas appliances are working (e.g. cooker). If there is no gas contact your gas supplier.
- Is the timer or programmer ON and calling for heat? Ensure it is set for Central Heating or Hot Water.
- Is any room thermostat set high enough? Turn up if necessary.
- What is displayed on the Boiler Control at the top right of the fire? 'E' followed by a number (error code) indicates a fault. Please see Troubleshooting section on opposite page.
- If an error code is persistently displayed consult your installer or a qualified GAS SAFE REGISTER engineer, (CORGI or GAS SAFE REGISTER outside of UK).

OWNER GUIDE

3. CLEANING AND MAINTAINING THE FIREFRONT

Important Safety.

Before undertaking maintenance always disconnect the firefront from the electricity supply by removing the 3 pin plug and allowing the firefront to cool.

How do I Clean my firefront?

The firefront and plastic parts need only to be wiped clean with a dry soft cloth; do not use polishes or abrasive materials. This is especially important when cleaning the effects screen.

I have a problem with my firefront!

1. My firefront is switched on but there is no effect or heat.

The first thing to do is check the wall socket. To do this plug in a known working appliance. If the appliance you have plugged in works then there is a good chance that the problem lies with the 13 Amp fuse in the firefront plug. If either fuse or socket is suspected, have them checked by an electrician.

2. My firefront is on but there is no heat and the heater fan has stopped.

Alternatively a cut out device is fitted to the firefront to prevent damage due to over heating. If it operates due to an obstruction in the airflow, the firefront must be turned off and allowed to cool for 15 minutes and the obstruction removed before restarting.

3. I have a problem that is different to those in the previous examples 1- 4.

For general advice about your firefront, to report faults, arrange for your firefront to be serviced, or for sales and product information call 0844 8711 565. Callers in the Republic of Ireland please telephone 0044 844 8711 565.

For spares inquiries

Spare parts are available nationwide via the 'interpart stockist network'. For your local stockist consult Yellow pages under 'Central Heating'.

When ordering spare parts for your firefront please have the below information available. This will help us to deal with your call quicker and avoid you having to make a second call.

- Your Post Code
- The fault, problem or request.
- Model, Name and serial number (This information can be found on a small label attached to the lower right of the firefront (See figure 3) and should also have been recorded on the last page of this guide.

OWNER GUIDE

4. ENVIRONMENT

Environmental Protection.

Waste electrical products should not be disposed of with household waste. Please recycle where facilities exist. Check with your local authority or retailer for recycling advice.

What should I do when I'm ready to dispose of my firefront?



The plug should be removed from the mains cable and the mains cable cut from the firefront. These should be disposed of with the firefront.

5. WARRANTY AND SERVICE

Information for the customer

Standard Warranty Terms & Conditions

The warranty is for 2 years subject to contract.

In the United Kingdom servicing can be carried out either by a **heateam** service engineer or a suitably qualified person.

To activate your second year free warranty you must register your boiler and firefront with **heateam**, the service division of Baxi Heating UK Ltd, either by completing and returning the registration card or calling our telephone registration line on **0800 032 72 30**.

It is also a requirement of the warranty that the boiler has an annual service (every 12 months) in accordance with the installation and servicing instructions, performed by a **GAS SAFE REGISTER** engineer, (**CORGI** or **GAS SAFE REGISTER** outside of UK). If you would like **heateam** to carry this out this service, please call on **0844 8711 525**

Our promise to you

If you experience a fault with your new boiler or firefront, we aim to provide a safe and high quality repair service supported by our dedicated national network of highly skilled engineers. If your installer can't resolve the problem for you, we will do everything we can to get an engineer out to you as quickly as possible. Nothing in this warranty will affect your statutory consumer rights.

OWNER GUIDE

What you need to do if you experience a problem with the operation of the boiler or firefront;

You should always contact your installer first, because the cause of the fault may not be related to the boiler. If the problem is with the firefront then read section 3 of this guide "Cleaning and maintaining the firefront". If your installer confirms that the fault is with the boiler or firefront and he/she can't repair it, our friendly customer service team is on hand to help. Simply call our service division **heateam** on **0844 8711 565** to book an engineer visit or for any general advice that you may need. Our contact centre is open Monday to Friday 8am - 6pm, weekends and Bank Holidays 8.30am - 2pm, excluding Christmas Day and New Years Day.

When calling **heateam**, it would be helpful if you could have the following information to hand:-

1. Serial number *
 2. Make and model number *
 3. Date of installation *
 4. Proof of purchase (If you do not have the Serial number)
- * Note: details 1 – 3 can be found on the last page of this guide.

What this warranty covers

Free of charge repair or replacement of components found to be of faulty manufacture.

Free of charge replacement of the complete unit providing the failure is related to a manufacturing fault that cannot be repaired or is uneconomic to repair.

What this warranty does not cover

Repairs to boilers which haven't been installed and commissioned properly, and as set out in the installation instructions supplied with the boiler (this includes the need to flush the system effectively and add a suitable corrosion inhibitor).

Any damage caused by hard water scale deposits and/or aggressive water resulting from corrosion.

Any other defects or failures, either in the connected heating system or outside of the boiler itself.

Faults caused by inadequate supply of electricity, gas or water to the property.

Installations within commercial settings for which this boiler was not designed.

OWNER GUIDE

Repairs to firefronts which haven't been installed properly and as set out in this guide.

Faults caused by inadequate supply of electricity.

Reimbursement of any third party repair or replacement costs that we haven't been told about or agreed with you in advance.

Compensation or consequential losses (e.g. loss of earnings, business losses, stress and inconvenience) arising from a production breakdown, including repair delays caused by factors outside our reasonable control.

OWNER GUIDE

To be completed by installer:

Installer Details (Block Capitals)

Installer Name	
Gas Safe Register or Corgi Registration Number.	
Company Name.	
Company Address	
Company Telephone number	
Company Fax number	

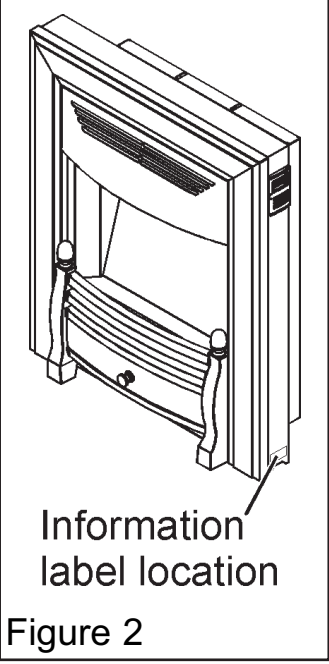
Boiler Model

B	A	X	I		B	E	R	M	U	D	A
B	B	U		1	5		H	E			

Boiler Serial number (Can be found on the information label - See figure 2)

--	--	--	--	--	--	--	--	--	--	--	--	--	--

A LABEL CONTAINING THE **BOILER** SERIAL NUMBER MAY HAVE BEEN PLACED INSIDE THIS BOX.



Date of Installation

D	D	M	M	Y	Y

OWNER GUIDE

Firefront Model

Firefront Serial number (Can be found on the information label - See figure 3)

A LABEL CONTAINING THE **FIREFRONT** SERIAL NUMBER MAY HAVE BEEN PLACED INSIDE THIS BOX.

Firefront Fascia name (Block Capitals)

Firefront Fascia code - Can be found close to the information label (Block Capitals)

A LABEL CONTAINING THE FASCIA CODE MAY HAVE BEEN PLACED INSIDE THIS BOX.

Brand (Please tick)

Baxi

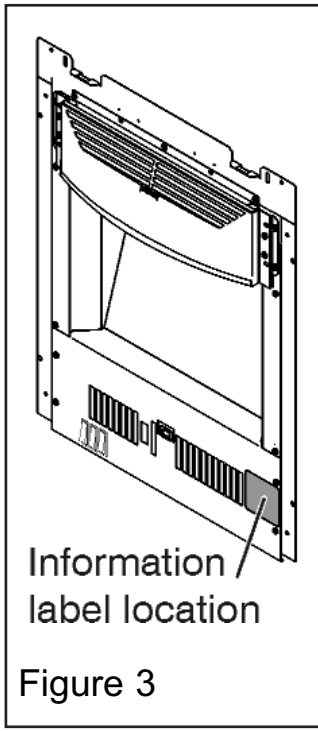
Valor

Wonderfire

Other.....

Date of Installation

D D M M Y Y



VALOR FIRES